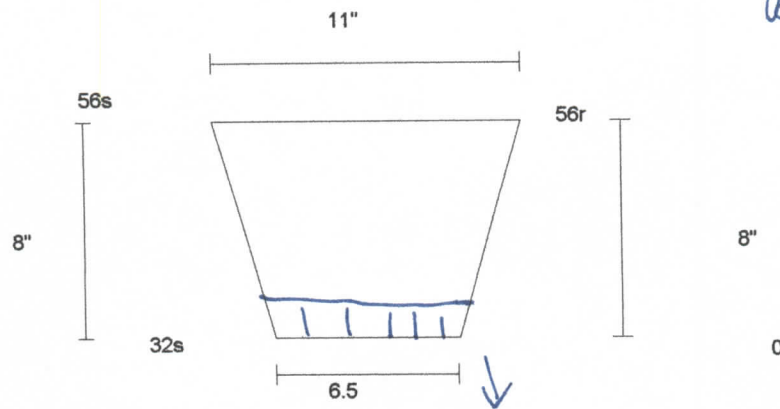


# Baby Boatneck Sweater



↓  
1" k1, p1 ribbing

## Sleeves

Cast on 32 sts.

### Sleeve Shaping

Using larger needle, work one RS row.

Begin sleeve shaping:

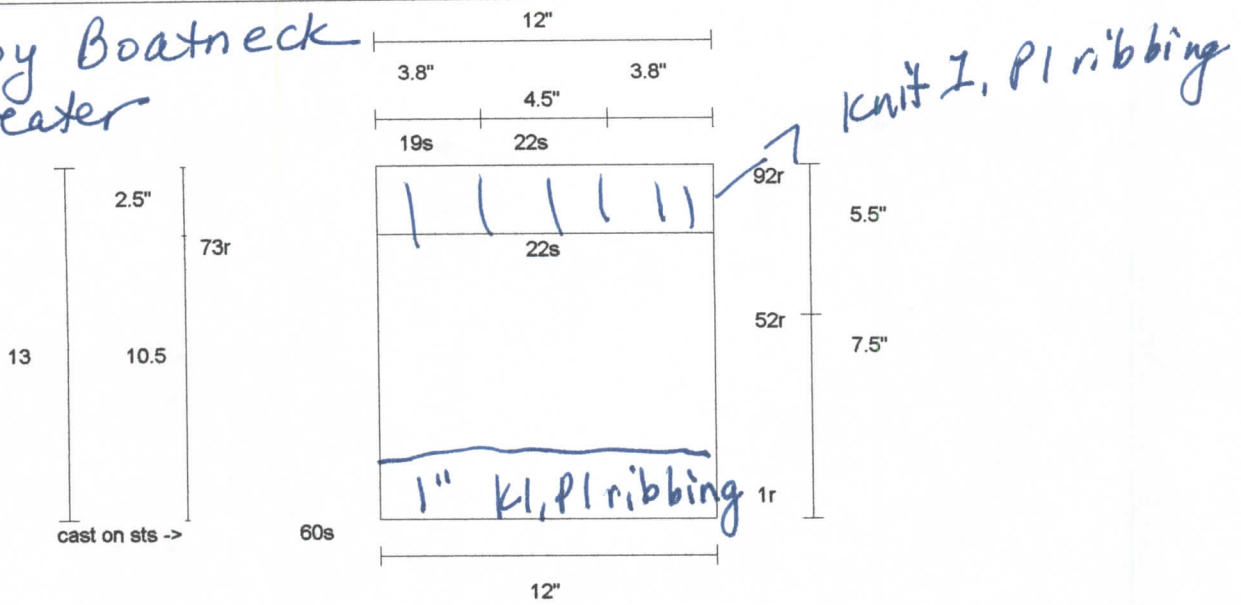
Inc 1 st on each side every 4th rw

11x, then every 6th rw 1x.

Cont in pat st until piece meas 8" [row

56]. Bind off 56 sts.

# Baby Boatneck Sweater



**Needles:** 6, 6      **Size:** 22      **Gauge:** 5 sts 7 rws per 1"

**Estimated Ydg:** 390

## Back

With body needle, cast on 60 sts.

With body needle, work in pat st until piece meas 7.5" [row 52]. Place underarm markers.

When piece meas 10.5" [row 72], begin boat border pat. Work until piece meas 13" [row 92].

Bind off across all sts.  
(60 sts)

## Front

Work same as back

**Work sleeves. (pg 2)**

## Finishing

Join seams.

Weave in all ends.

Seam each shoulder. (19 sts)

*Continued on page 2.*